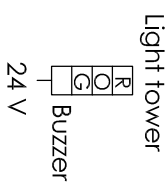
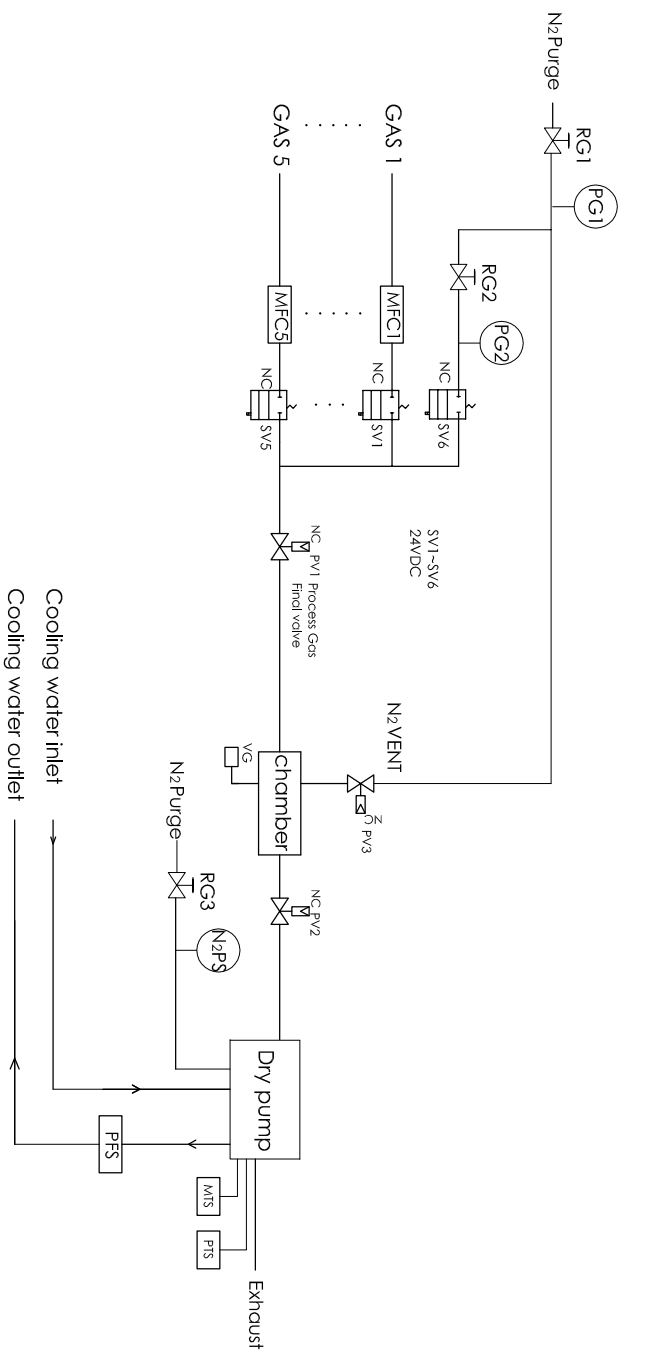


REV.	REVISION NOTES	DATE	SIGNATURE
E02	ADD N2 RG	2018/04/10	DW

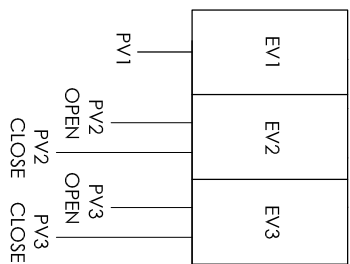


- Control Button
- ① POWER LIGHT
 - ② RESET
 - ③ EMO
 - ④ PUMP START
 - ⑤ PUMP STOP

- Hardware Interlock
- ① Chamber Door
 - ② Dry Pump Motor Temperature Switch

ABBREVIATION MEANING

- MTS - Motor Temperature Switch
- PFS - Pump Flow Sensor
- PG - Pressure Gauge
- PS - Pressure Sensor
- PTS - Pump Temperature Switch
- RES - RF generator Flow Sensor
- RG - Regulator
- VG - VACUUM GAUGE



JET PLASMA		MATERIAL		N/A	
NAME	DATE	DIMENSIONS ARE IN MILLIMETERS			
DRAWN	DW	2018/04/02	3rd Angle Projection		
CHECKED	Y/LET	2018/04/02	SCALE: NONE		
APPROVED	P/LET	2018/04/02	SIZE	DWG. NO.	REV.
			A3	200-0001-162	E02
			SCALE: NONE	WEIGHT:	1 OF 1

TITLE: SCHEMATIC, SYSTEM, T160, DP